

Item L7854R

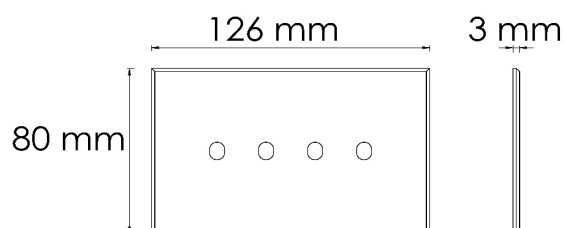
Cover Plate

IP20



**DESCRIPTION**

An original Palagi concept for this rectangular cover plate for interior, 4 round toggle buttons. Compact minimal design, available on different materials and finishes, personalising every space on board and architectural projects as well.



**Material Finish:**

STAINLESS STEEL, BRASS

**Trim Ring Finish:**

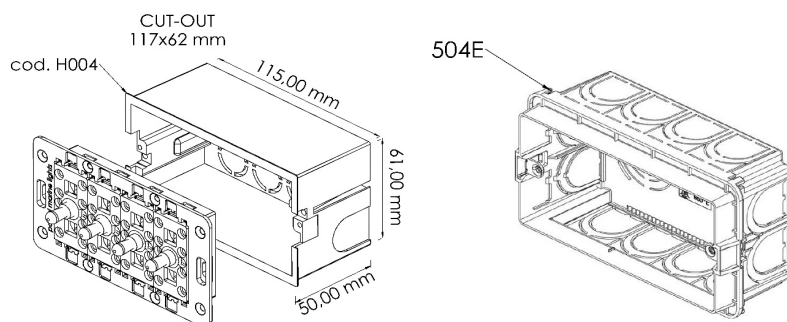
POLISHED, BRUSHED, BURNISHED, ANY COLOUR

**Socket Type:**

1P NO 10A PUSH BUT. (x2)  
OR  
1P10AX 2-WAY MAX 100W (x2) OR  
2P 10A 2-WAY PUSH BUT.(x2)

**Mounting Method:**

PALAGI FRAME + PALAGI HOUSING H004 (HOLLOW WALLS)  
OR  
504E (MASONRY)



Information provided with this may be subjected to change any time without notice

