

Item L7853R

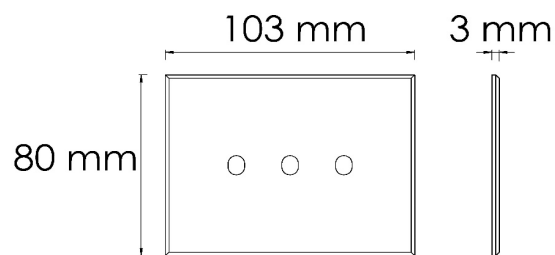
Cover Plate

IP20



DESCRIPTION

An original Palagi concept for this rectangular cover plate for interior, 3 round toggle buttons. Compact minimal design, available on different materials and finishes, personalising every space on board and architectural projects as well.



Material Finish:

STAINLESS STEEL, BRASS

Trim Ring Finish:

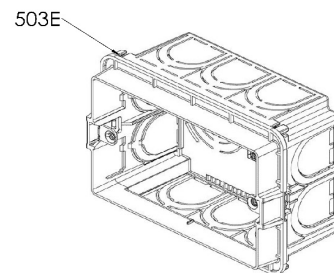
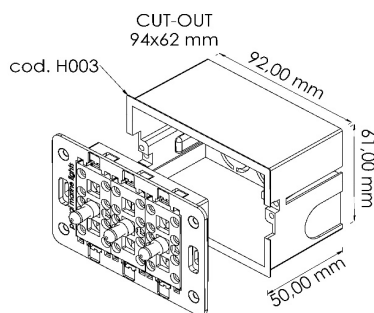
POLISHED, BRUSHED, BURNISHED, ANY COLOUR

Socket Type:

1P NO 10A PUSH BUT. (x2)
OR
1P10AX 2-WAY MAX 100W (x2) OR
2P 10A 2-WAY PUSH BUT.(x2)

Mounting Method:

PALAGI FRAME + PALAGI HOUSING H003 (HOLLOW WALLS)
OR
503E (MASONRY)



Information provided with this may be subjected to change any time without notice

