

Item L9431

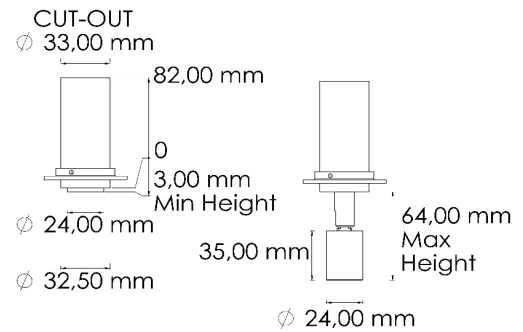
Adjustable Downlight For Interior

IP40



DESCRIPTION

An innovative luminaire for interior with a rotating, retractable, directional system, 1 single round frame module combining functions according to its positions. Its internal fixing system enables to achieve a flush ceiling, with only 3 mm exposure of the retractile round light body. A museum like lighting system,



Trim Ring Material

ALUMINIUM

Power

4 W

Luminaire lumens output

26° 453 LM

34° 415 LM

Trim Ring Finish

ANY

Voltage forward

12 V

Colour Rendering Index

90 CRI - OTHERS ON REQUEST

Body Material

ALUMINIUM

Driver

10-30V DC / 220V (Not Included)

Colour Temperature

3000K - OTHERS ON REQUEST

Mounting Method:

SCREWS

Dimmable

ON REQUEST

Beam angle Output

26°

34°



Information provided with this may be subjecte to change any time without notice

