

Item L9429

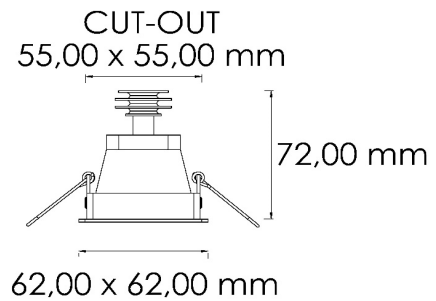
Adjustable Downlight For Interior

IP40



DESCRIPTION

An innovative luminaire for interior with a rotating, retractable, directional system, 1 square module combining functions according to its positions. A museum like lighting system, achieving a wide range of effects either on walls, objects, art works.



Trim Ring Material

ALUMINIUM

Power

4W -6W

Luminaire lumens output

260 LM (4W)
320 LM (6W)

Trim Ring Finish

ANY

Voltage forward

12 V

Colour Rendering Index

90 CRI - OTHERS ON REQUEST

Body Material

ALUMINIUM

Driver

10-30V DC / 220V (Not Included)

Colour Temperature

3000K - OTHERS ON REQUEST

Mounting Method:

SPRINGS

Dimmable

ON REQUEST

Beam angle Output

43°



Information provided with this may be subjecte to change any time without notice

