

Item L7802

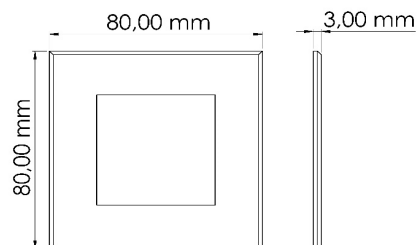
2 Modules Cover Plate

IP20



**DESCRIPTION**

An innovative and timeless Palagi 2 modules square cover plate for interior, efficient concept. Seamless, very compact minimal design, available on different materials and finishes, personalising every place on board. A wide selection of function modules is available.



**Material Finish:**

STAINLESS STEEL, BRASS

**Trim Ring Finish:**

POLISHED, BRUSHED, BURNISHED, ANY COLOUR

**Socket Type:**

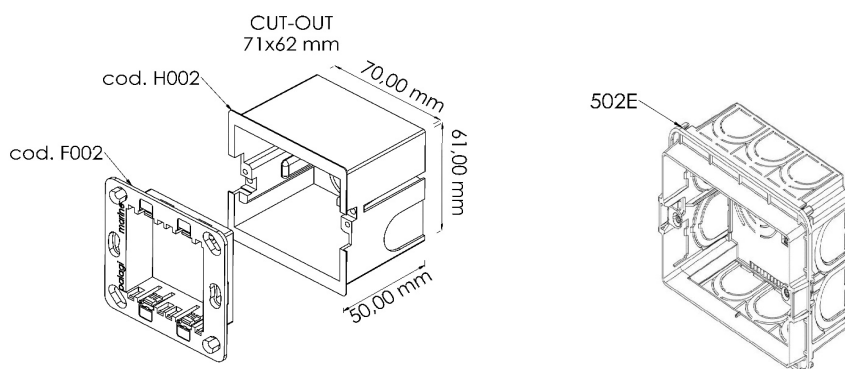
2 MODULES COVER PLATE

**Mounting Method:**

PALAGI FRAME F002 + PALAGI HOUSING H002 (HOLLOW WALLS)

OR

502E (MASONRY)



Information provided with this may be subjected to change any time without notice

