

Item L7820R

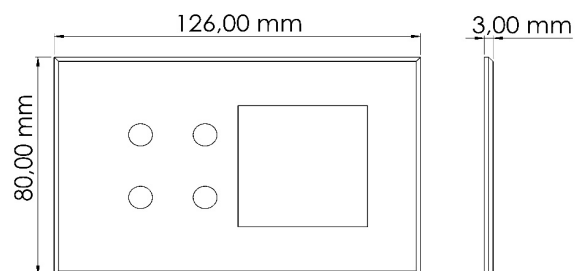
Cover Plate

IP20



DESCRIPTION

An original Palagi concept for this rectangular cover plate for interior, 4 round buttons and 2 socket modules. Compact minimal design, available on different materials and finishes, personalising every space on board and architectural projects as well.



Material Finish:

STAINLESS STEEL, BRASS

Trim Ring Finish:

POLISHED, BRUSHED, BURNISHED, ANY COLOUR

Socket Type:

2 MODULES COVER PLATE

+
4 SWITCHES BUTTONS

PUSH BUTTON (16A)

OR

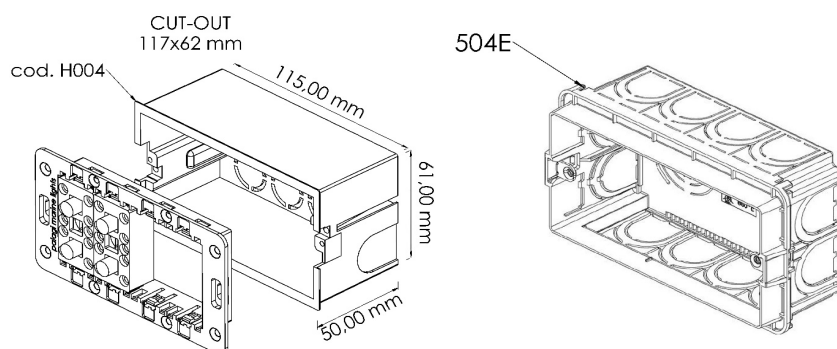
SWITCH (16A)

Mounting Method:

PALAGI FRAME +
PALAGI HOUSING
H004 (HOLLOW WALLS)

OR

504E (MASONRY)



Information provided with this may be subjected to change any time without notice

