

Item L7818R

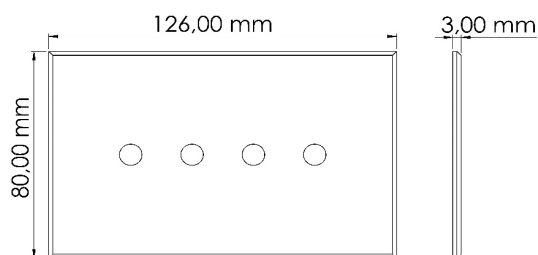
Cover Plate

IP20



**DESCRIPTION**

A timeless Palagi socket plate for interior, efficient concept. Seamless, very compact minimal design, available on different materials and finishes, personalising every place on board. A wide selection of function modules is available.



**Material Finish:**

STAINLESS STEEL, BRASS

**Trim Ring Finish:**

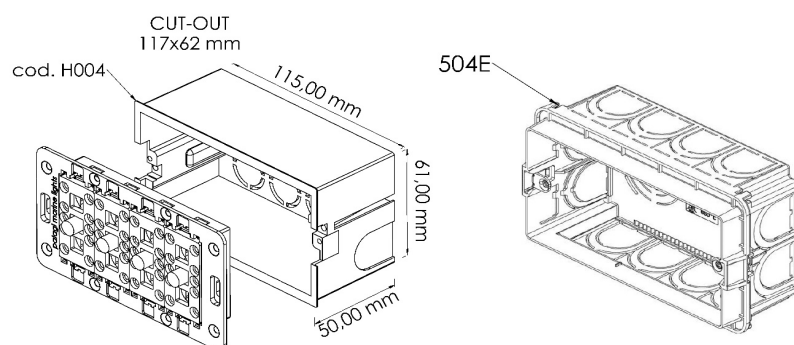
POLISHED, BRUSHED, BURNISHED, ANY COLOUR

**Socket Type:**

4 SWITCHES BUTTONS  
PUSH BUTTON (16A)  
OR  
SWITCH(16A)

**Mounting Method:**

PALAGI FRAME +  
PALAGI HOUSING  
H004 (HOLLOW WALLS)  
OR  
504E (MASONRY)



Information provided with this may be subjected to change any time without notice

