

Item L7815R

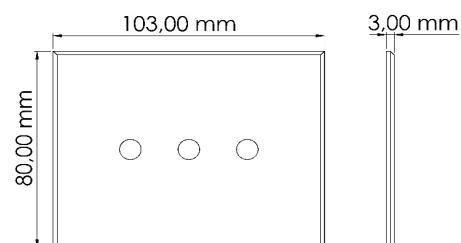
Cover Plate

IP20



**DESCRIPTION**

An original Palagi concept for this rectangular cover plate for interior, 3 round buttons. Compact minimal design, available on different materials and finishes, personalising every space on board and architectural projects as well.



**Material Finish:**

STAINLESS STEEL, BRASS

**Trim Ring Finish:**

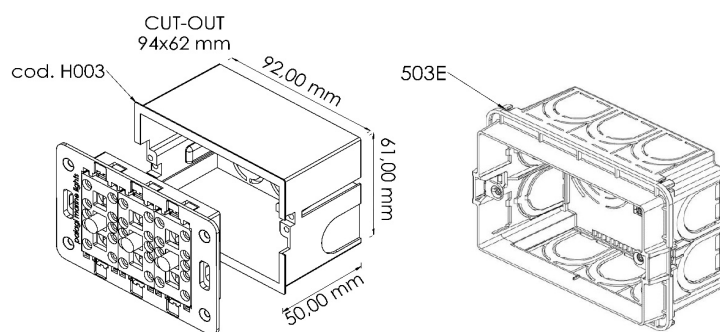
POLISHED, BRUSHED, BURNISHED, ANY COLOUR

**Socket Type:**

3 SWITCHES BUTTONS  
PUSH BUTTON (16A)  
OR  
SWITCH(16A)

**Mounting Method:**

PALAGI FRAME +  
PALAGI HOUSING  
H003 (HOLLOW WALLS)  
OR  
503E (MASONRY)



Information provided with this may be subjected to change any time without notice

