

Item L7814R

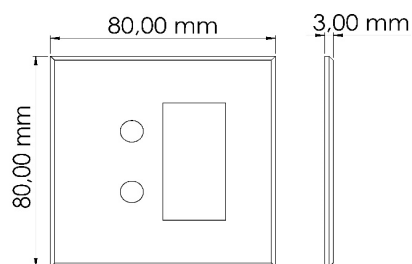
Cover Plate

IP20



DESCRIPTION

A timeless Palagi socket plate for interior, efficient concept. Seamless, very compact minimal design, available on different materials and finishes, personalising every place on board. A wide selection of function modules is available.



Material Finish:

STAINLESS STEEL, BRASS

Trim Ring Finish:

POLISHED, BRUSHED, BURNISHED, ANY COLOUR

Socket Type:

1 MODULE COVER PLATE

+

2 SWITCHES BUTTONS

PUSH BUTTON (16A)

OR

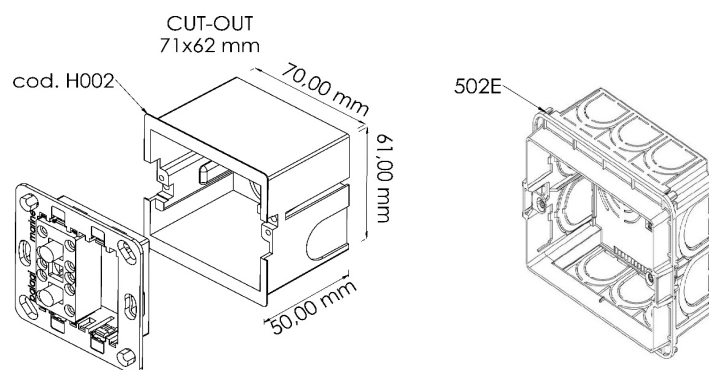
SWITCH (16A)

Mounting Method:

PALAGI FRAME + PALAGI HOUSING H002 (HOLLOW WALLS)

OR

502E (MASONRY)



Information provided with this may be subjected to change any time without notice

